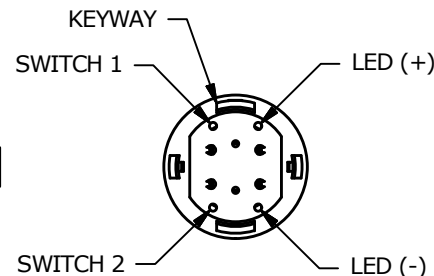
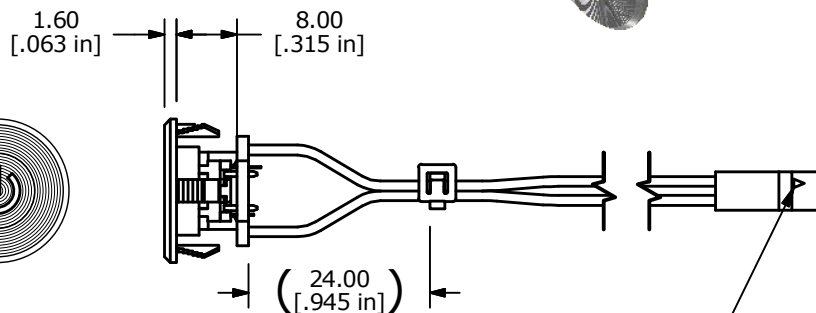
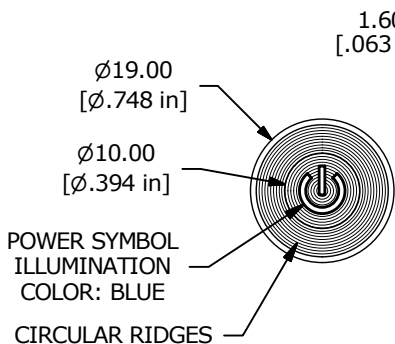
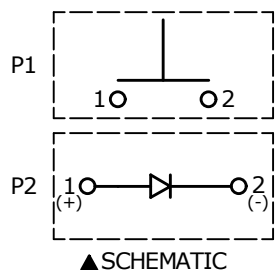
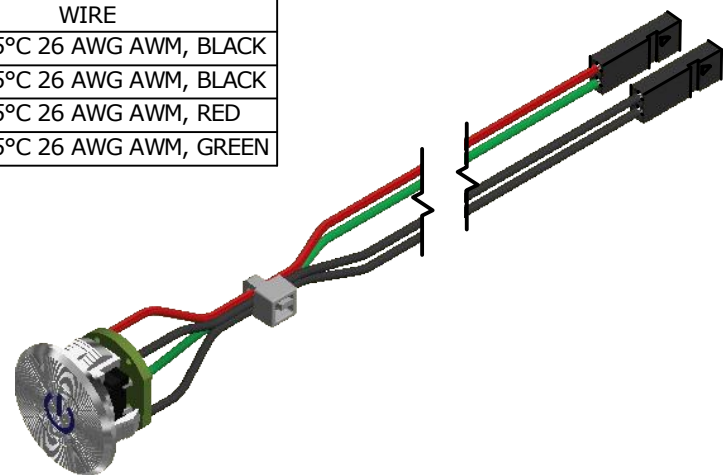


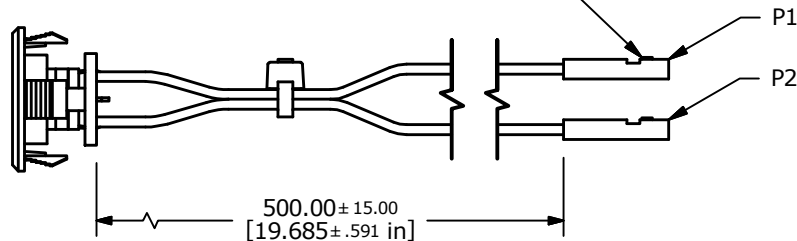
"Z"	"D"
0-0.5	16.0-16.1
0.5-2.0	16.1-16.2
2.0-2.5	16.2-16.4
2.5-3.0	16.4-16.6
3.0-3.5	16.6-16.8

LED PARAMETER	FORWARD CURRENT	FORWARD VOLTAGE @ 20mA	LUMINOUS INTENSITY
UNITS	mA	V	mcd
BLUE	20	3.2 TYP. - 3.6 MAX.	600 TYP.

WIRE CHART			
CONNECTOR	POSITION	SWITCH	WIRE
P1	1	1	300V 105°C 26 AWG AWM, BLACK
P1	2	2	300V 105°C 26 AWG AWM, BLACK
P2	1	LED (+)	300V 105°C 26 AWG AWM, RED
P2	2	LED (-)	300V 105°C 26 AWG AWM, GREEN



DENOTES POSITION 1 ON CONNECTOR
CONNECTOR - JSW A2541H-2P
TERMINALS - JSW A2547T-GP



- NOTE:
1. ALL DIMENSIONS IN MM [INCH]
 2. GENERAL TOLERANCE: X.X = ±0.4
X.XX = ±0.25
 3. TERMINAL NUMBERS FOR REF ONLY
 4. CONTACT MATERIAL: SILVER
 5. RATING: 50mA @ 12 VDC
 6. CYCLE LIFE: 100,000 MAKE-AND-BREAK CYCLES
 7. INSULATION RESISTANCE: 100 MΩ MIN.
 8. DIELECTRIC STRENGTH: 250 V RMS
 9. CONTACT RESISTANCE: 100mΩ MAX.
 10. OPERATING TEMP.: -25°C to 70°C
 11. ▲ DENOTES CRITICAL PARAMETER.
 12. LED COLOR: BLUE
 13. TRAVEL: 0.25 ± 0.10mm
 14. ACTUATION FORCE: 350 ± 100 gf



A	23680	NEW RELEASE	12/26/18	MJR
REV	PCR NO	DESCRIPTION	DATE	BY

TITLE	TL1275CA2WA500QPB			
SCALE	1:1	DATE	12/26/2018	DR
				MJR
DWG	T012752	REV	A	

THE INFORMATION CONTAINED IN THIS DOCUMENT IS PROPRIETARY TO E-SWITCH AND IS NOT TO BE COPIED OR TRANSFERRED